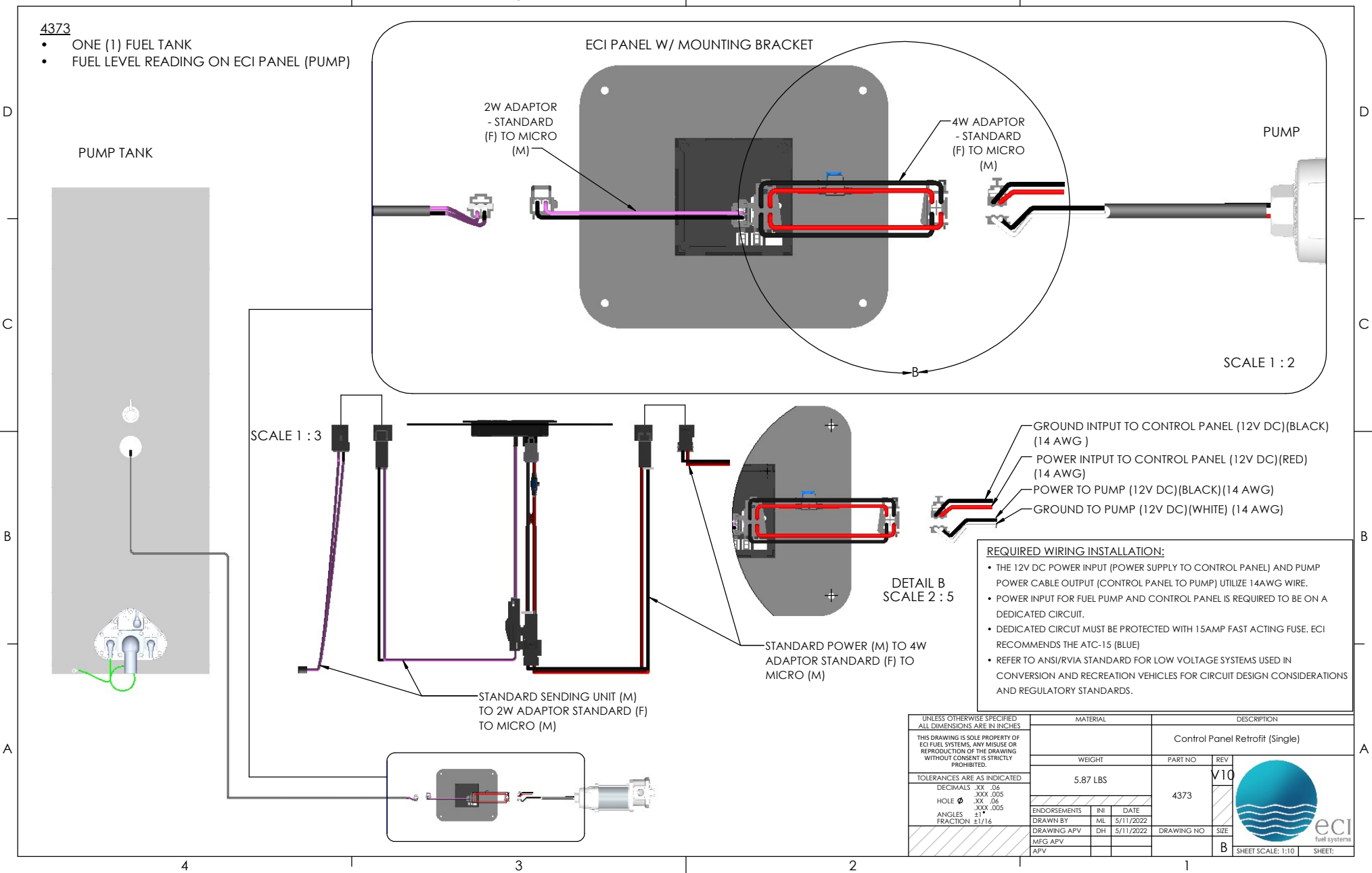


4373

- ONE (1) FUEL TANK
- FUEL LEVEL READING ON ECI PANEL (PUMP)



- GROUND INPUT TO CONTROL PANEL (12V DC)(BLACK) (14 AWG)
- POWER INPUT TO CONTROL PANEL (12V DC)(RED) (14 AWG)
- POWER TO PUMP (12V DC)(BLACK)(14 AWG)
- GROUND TO PUMP (12V DC)(WHITE) (14 AWG)

REQUIRED WIRING INSTALLATION:

- THE 12V DC POWER INPUT (POWER SUPPLY TO CONTROL PANEL) AND PUMP POWER CABLE OUTPUT (CONTROL PANEL TO PUMP) UTILIZE 14AWG WIRE.
- POWER INPUT FOR FUEL PUMP AND CONTROL PANEL IS REQUIRED TO BE ON A DEDICATED CIRCUIT.
- DEDICATED CIRCUIT MUST BE PROTECTED WITH 15AMP FAST ACTING FUSE. ECI RECOMMENDS THE ATC-15 (BLUE)
- REFER TO ANSI/RVIA STANDARD FOR LOW VOLTAGE SYSTEMS USED IN CONVERSION AND RECREATION VEHICLES FOR CIRCUIT DESIGN CONSIDERATIONS AND REGULATORY STANDARDS.

UNLESS OTHERWISE SPECIFIED ALL DIMENSIONS ARE IN INCHES	MATERIAL	DESCRIPTION	
THIS DRAWING IS SOLE PROPERTY OF ECI FUEL SYSTEMS. ANY MISUSE OR REPRODUCTION OF THE DRAWING WITHOUT CONSENT IS STRICTLY PROHIBITED.	WEIGHT	Control Panel Retrofit (Single)	
	5.87 LBS	PART NO	REV
TOLERANCES ARE AS INDICATED		4373	V10
DECIMALS .XX .04			
HOLE Ø .XXX .005			
ANGLES ±1°	ENDORSEMENTS	INI	DATE
FRACTION #1/16	DRAWN BY	ML	5/11/2022
	DRAWING APV	DH	5/11/2022
	MFG APV		
	APV		

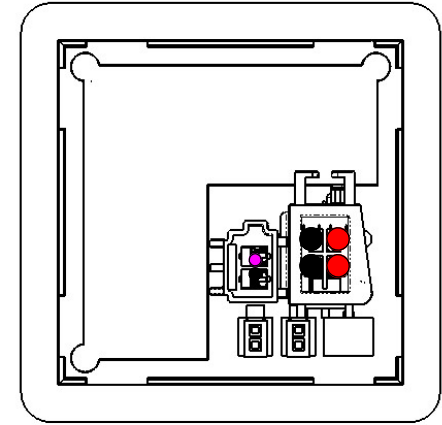
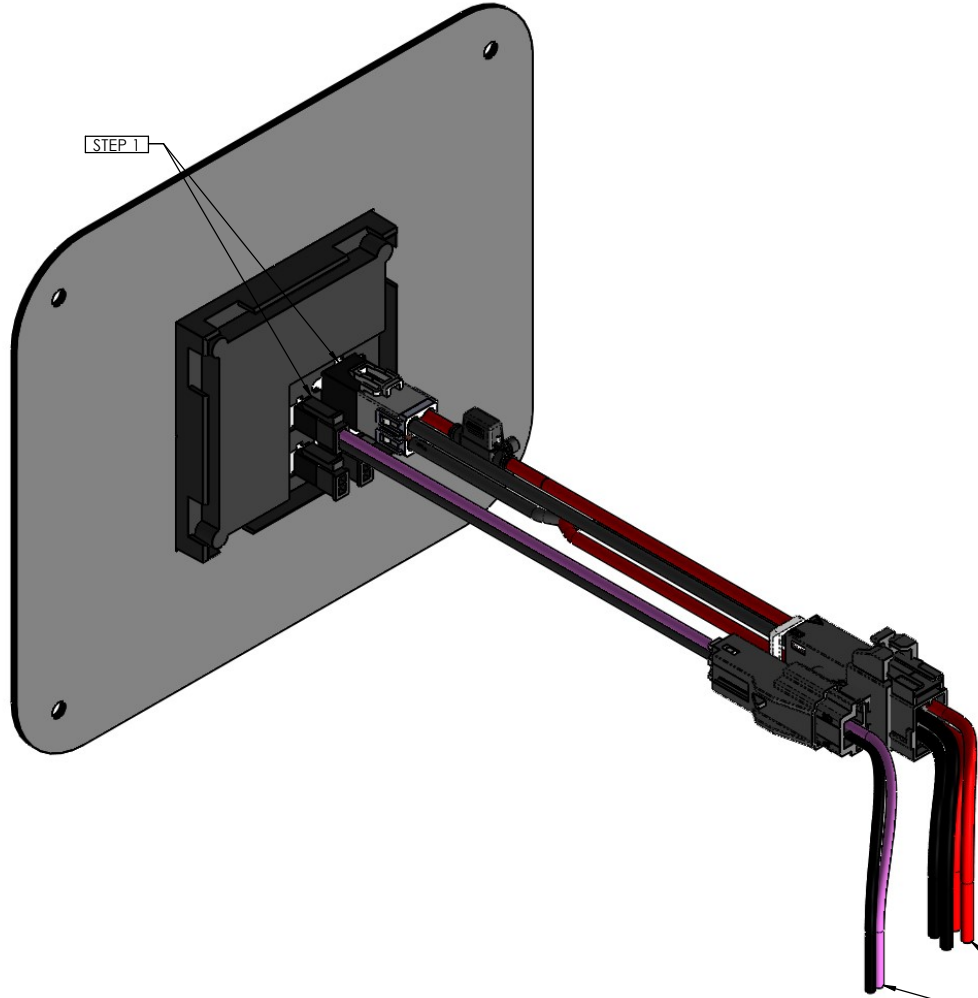



SHEET SCALE: 1:10 SHEET:

SINGLE SYSTEM W/ FLAT BRACKET WIRE SECUREMENT

INSTALLATION INSTRUCTIONS:

1. ENSURE CONNECTORS ARE PLUGGED INTO THEIR PROPER LOCATION (SEE PG. 7).
2. MAKE SURE THAT THERE ISN'T ANY TENSION ON THE WIRES/CONNECTORS LEADING INTO THE CONTROL PANEL.



UNLESS OTHERWISE SPECIFIED ALL DIMENSIONS ARE IN INCHES THIS DRAWING IS SOLE PROPERTY OF ECI FUEL SYSTEMS. ANY MISUSE OR REPRODUCTION OF THE DRAWING WITHOUT CONSENT IS STRICTLY PROHIBITED.	MATERIAL		DESCRIPTION	
	WEIGHT		PART NO	REV
	5.87 LBS		4373	V10
	TOLERANCES ARE AS INDICATED DECIMALS .XX .04 .XXX .005 HOLE Ø .XX .06 .XXX .005 ANGLES ±1° FRACTION ±1/16		ENDORSEMENTS DRAWN BY DRAWING APV MFG APV APV	INI ML DH DATE 5/11/2022
		Control Panel Retrofit (Single)		
				
		SHEET SCALE: 1:1 SHEET:		