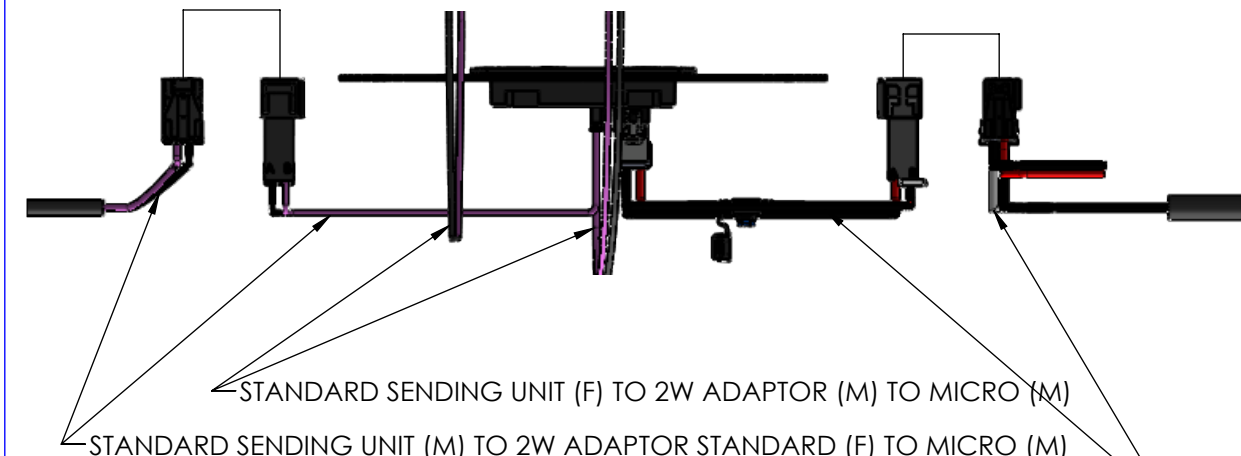
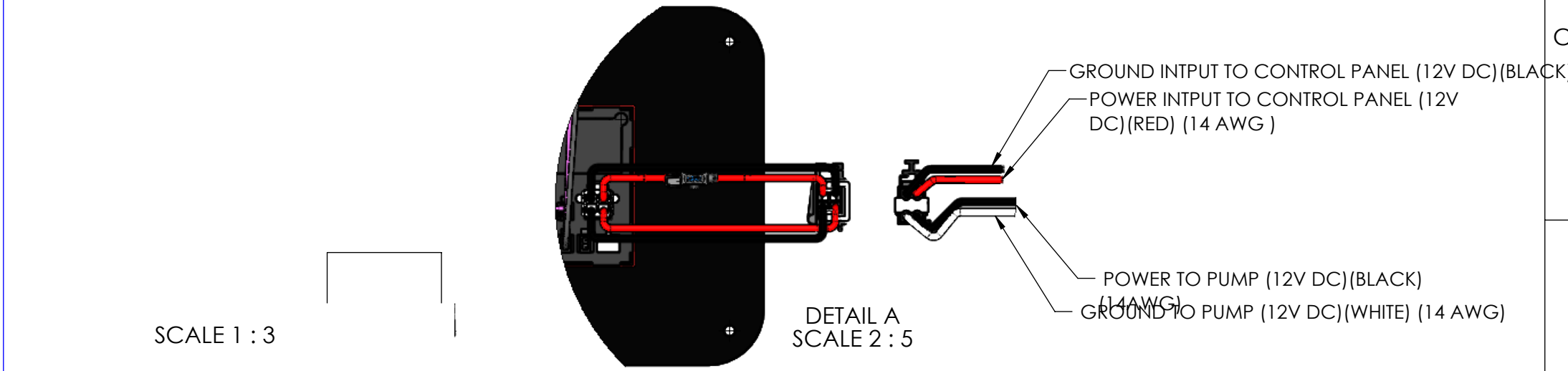
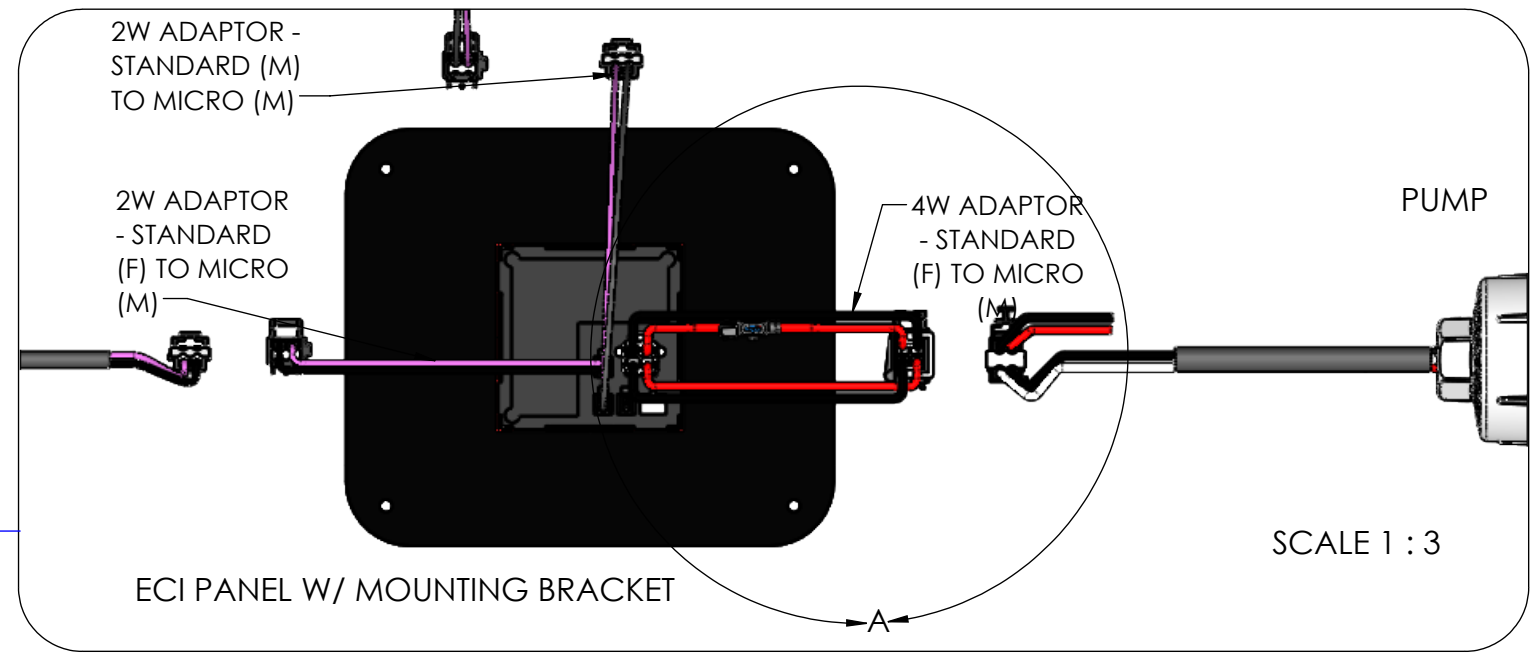
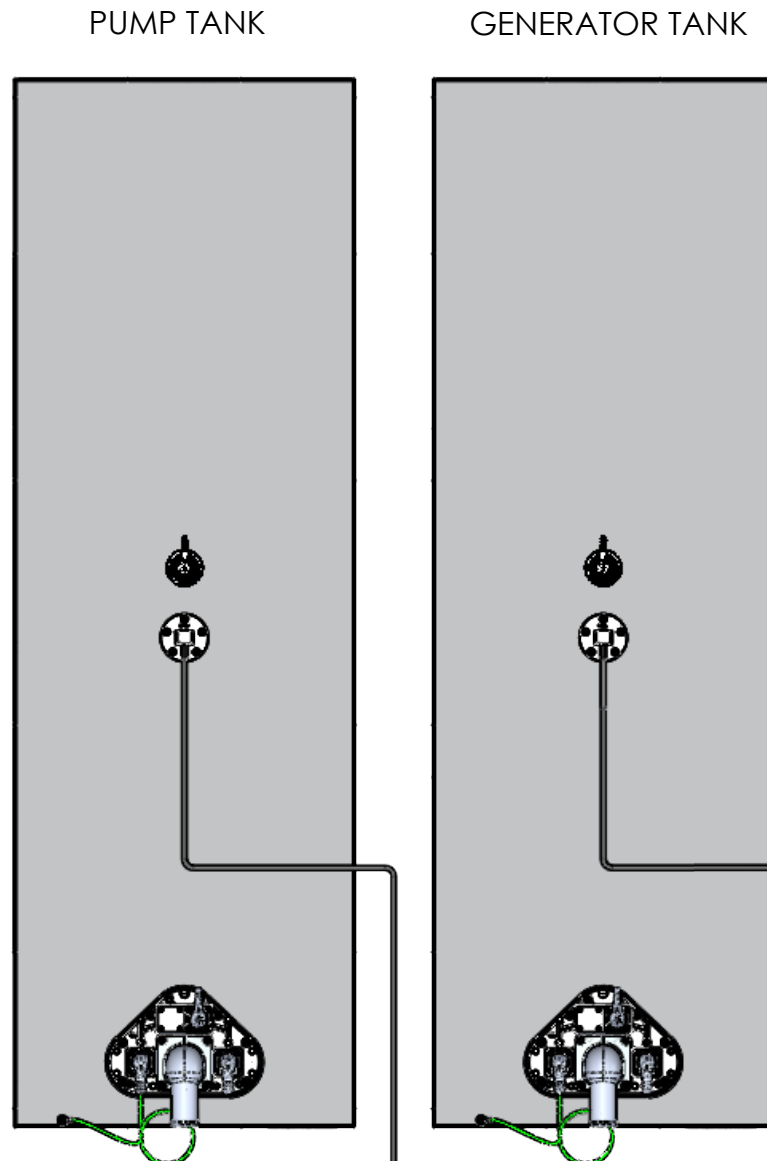


4374

- TWO (2) FUEL TANKS
- FUEL LEVEL READINGS ON ECI PANEL (PUMP AND GENERATOR)



**REQUIRED WIRING INSTALLATION:**

- THE 12V DC POWER INPUT (POWER SUPPLY TO CONTROL PANEL) AND PUMP POWER CABLE OUTPUT (CONTROL PANEL TO PUMP) UTILIZE 14AWG WIRE.
- POWER INPUT FOR FUEL PUMP AND CONTROL PANEL IS REQUIRED TO BE ON A DEDICATED CIRCUIT.
- DEDICATED CIRCUIT MUST BE PROTECTED WITH 15AMP FAST ACTING FUSE. ECI RECOMMENDS THE ATC-15 (BLUE)
- REFER TO ANSI/RVIA STANDARD FOR LOW VOLTAGE SYSTEMS USED IN CONVERSION AND RECREATION VEHICLES FOR CIRCUIT DESIGN CONSIDERATIONS AND REGULATORY STANDARDS.

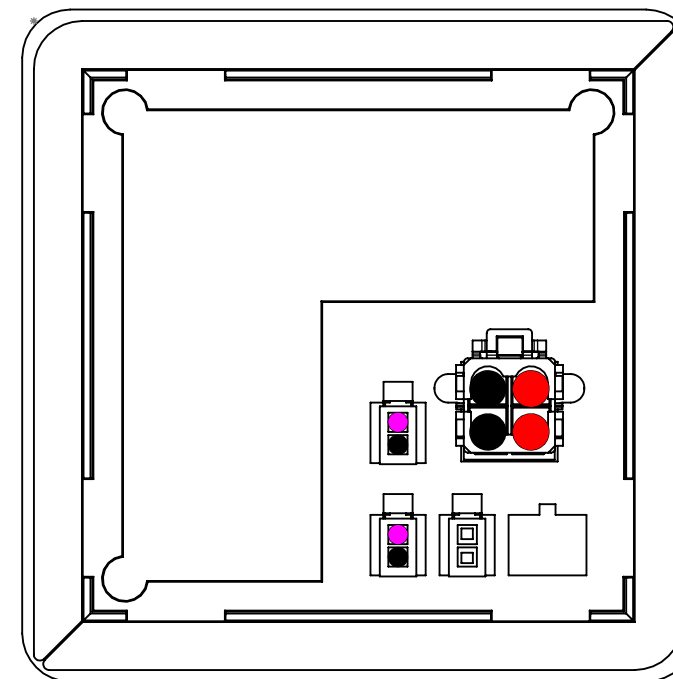
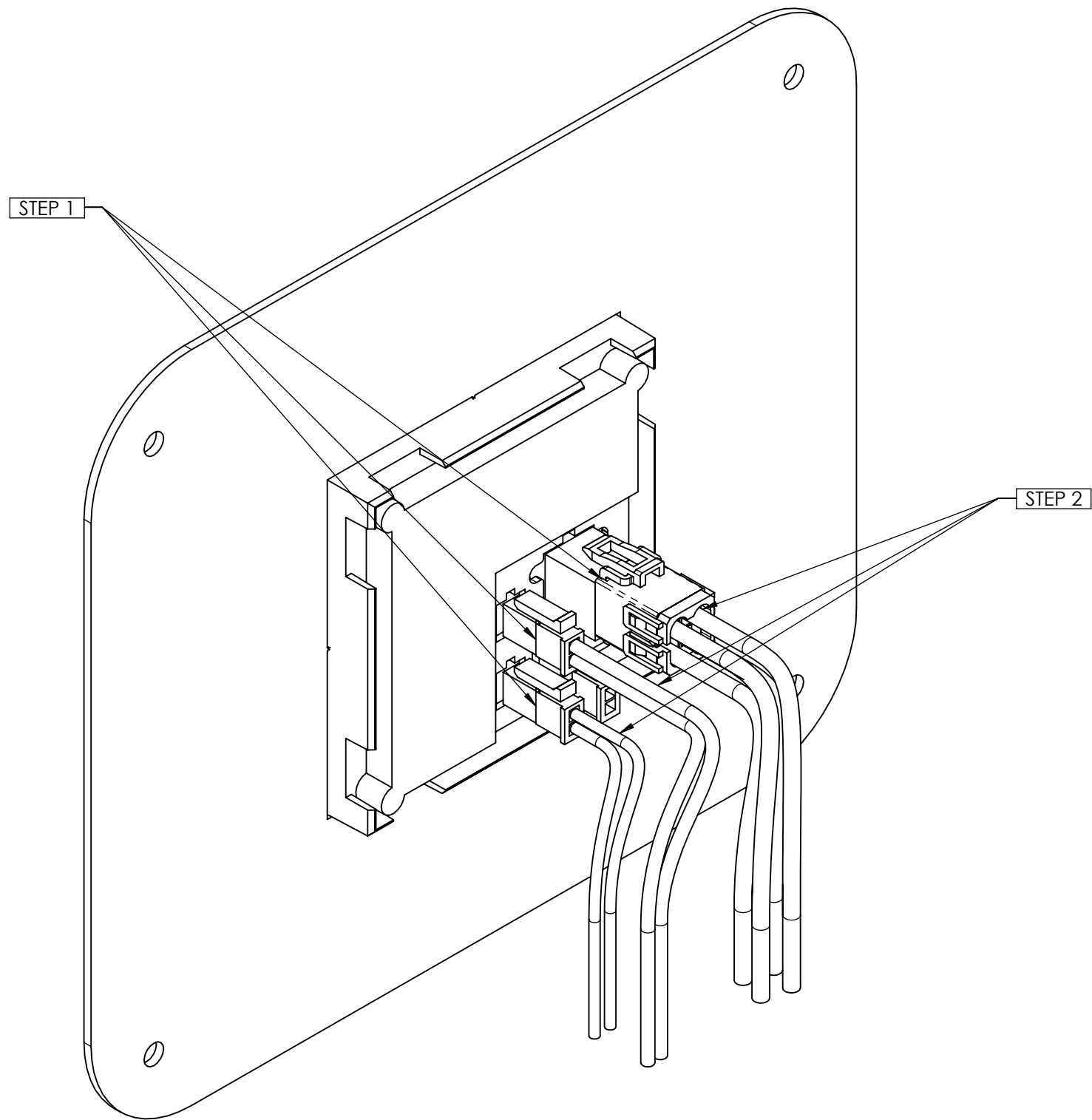
UNLESS OTHERWISE SPECIFIED ALL DIMENSIONS ARE IN INCHES		MATERIAL		DESCRIPTION	
THIS DRAWING IS SOLE PROPERTY OF ECI FUEL SYSTEMS, ANY MISUSE OR REPRODUCTION OF THE DRAWING WITHOUT CONSENT IS STRICTLY PROHIBITED.		WEIGHT		Control Panel Retrofit (Dual)	
TOLERANCES ARE AS INDICATED		5.91 LBS		PART NO	
DECIMALS .XX .06				REV	
.XXX .005				V10	
HOLE Ø .XX .06				4374	
.XXX .005				DRAWING NO	
ANGLES ±1°		ENDORSEMENTS		SIZE	
FRACTION ±1/16		INI		B	
		ML		SHEET SCALE: 1:11	
		DH		SHEET:	
		APV			



# DUAL SYSTEM W/ FLAT BRACKET WIRE SECUREMENT

## INSTALLATION INSTRUCTIONS:

1. ENSURE CONNECTORS ARE PLUGGED INTO THEIR PROPER LOCATION (SEE PG. 8).
2. MAKE SURE THAT THERE ISN'T ANY TENSION ON THE WIRES/CONNECTORS LEADING INTO THE CONTROL PANEL.



UNLESS OTHERWISE SPECIFIED ALL DIMENSIONS ARE IN INCHES  THIS DRAWING IS SOLE PROPERTY OF ECI FUEL SYSTEMS, ANY MISUSE OR REPRODUCTION OF THE DRAWING WITHOUT CONSENT IS STRICTLY PROHIBITED.  TOLERANCES ARE AS INDICATED DECIMALS .XX .06 .XXX .005 HOLE Ø .XX .06 .XXX .005 ANGLES ±1° FRACTION ±1/16	MATERIAL		DESCRIPTION	
			Control Panel Retrofit (Dual)	
	WEIGHT		PART NO	REV
	5.91 LBS		4374	V10
ENDORSEMENTS	INI	DATE	DRAWING NO	
DRAWING APV	ML	5/11/2022		
MFG APV	DH	5/11/2022		
APV			SIZE	
			B	



SHEET SCALE: 1:1 SHEET: